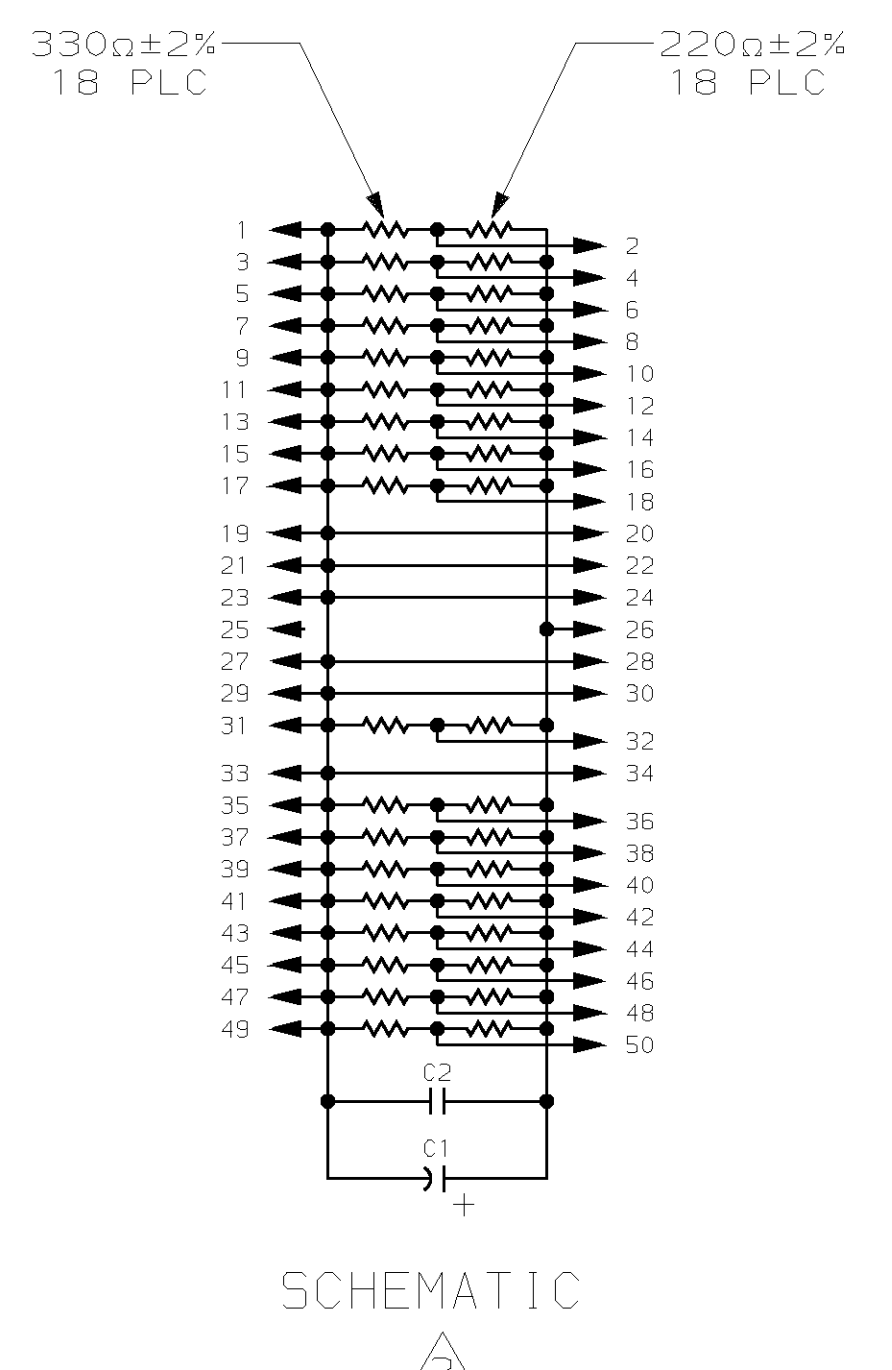
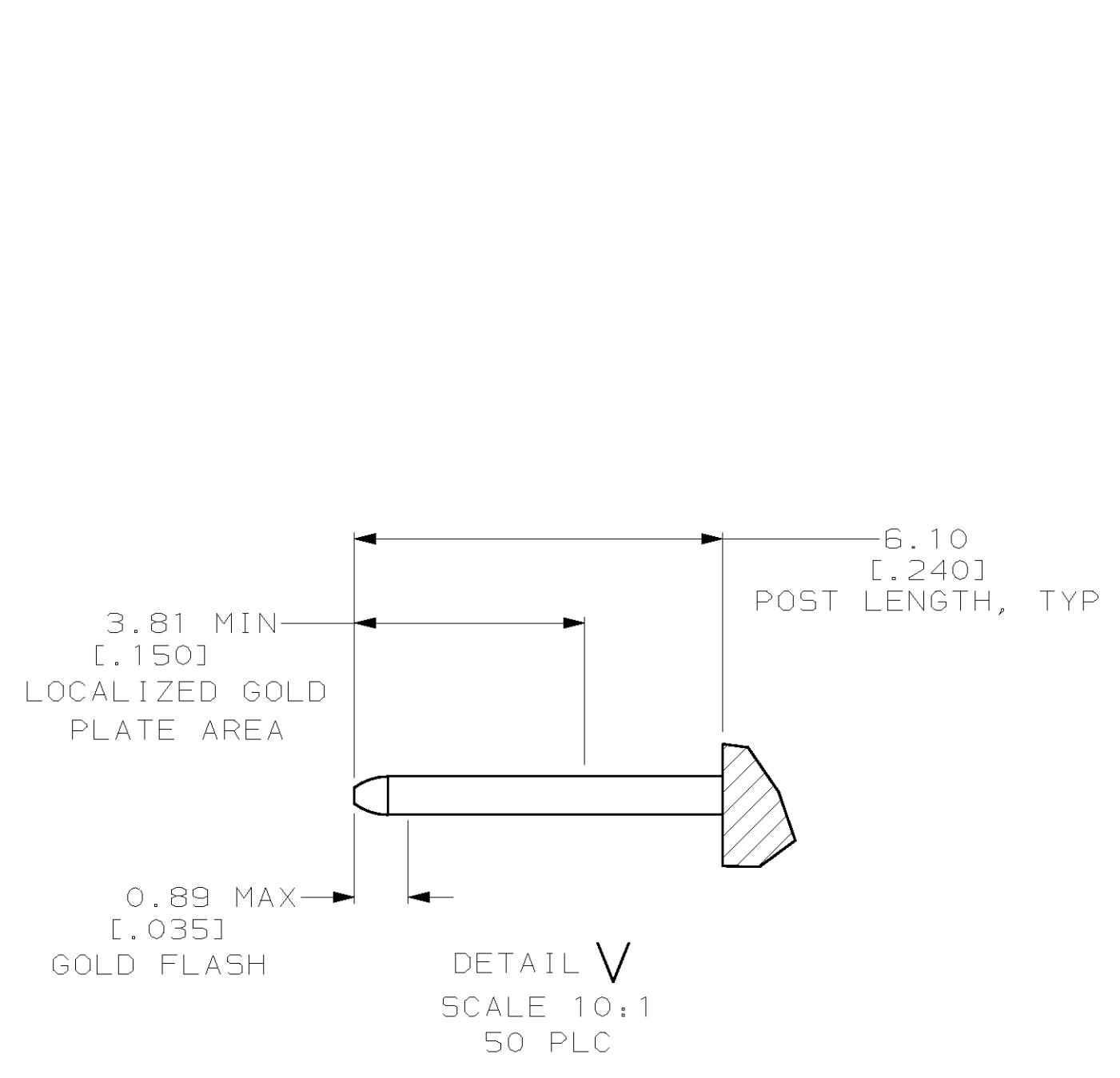
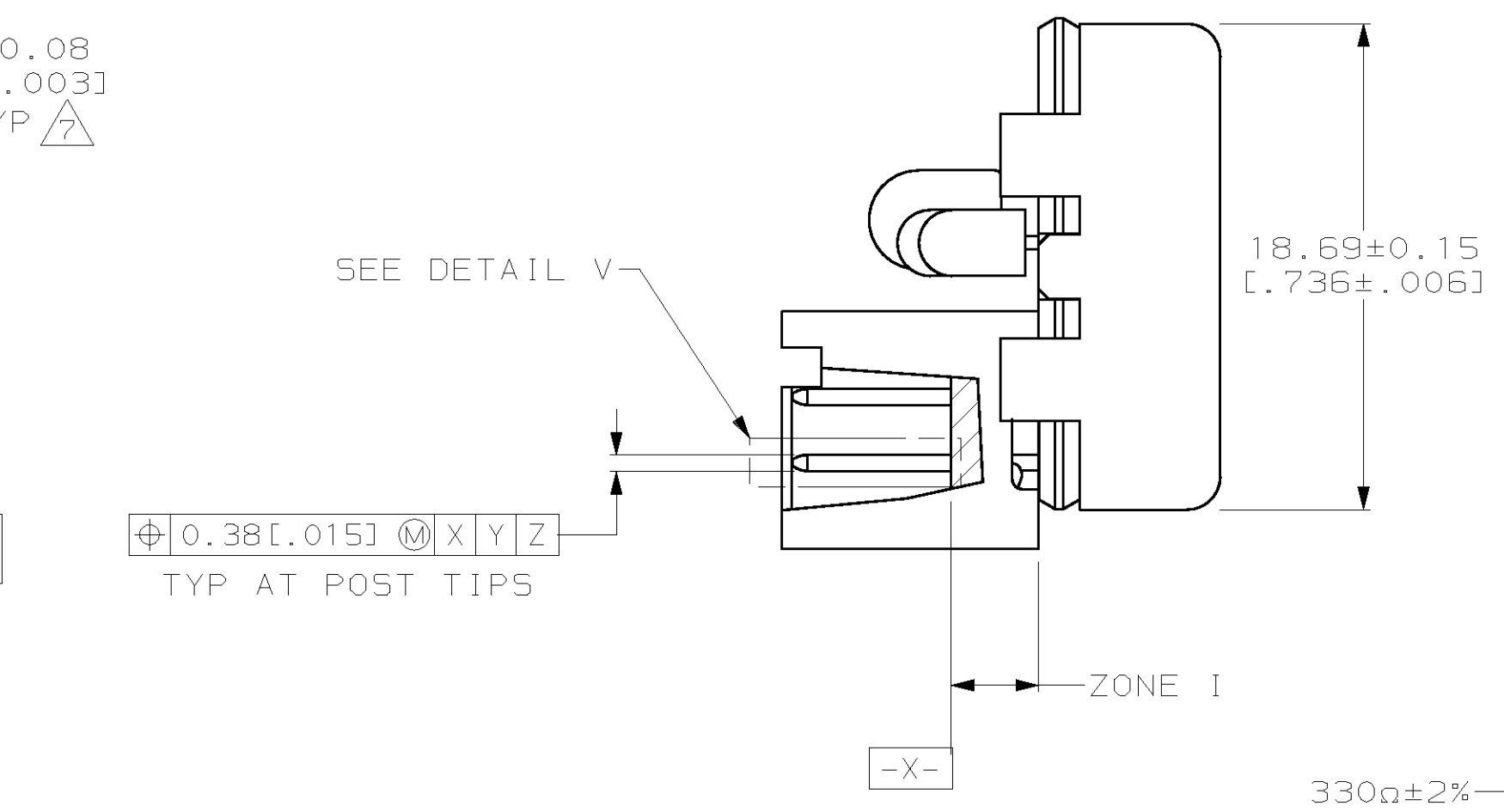
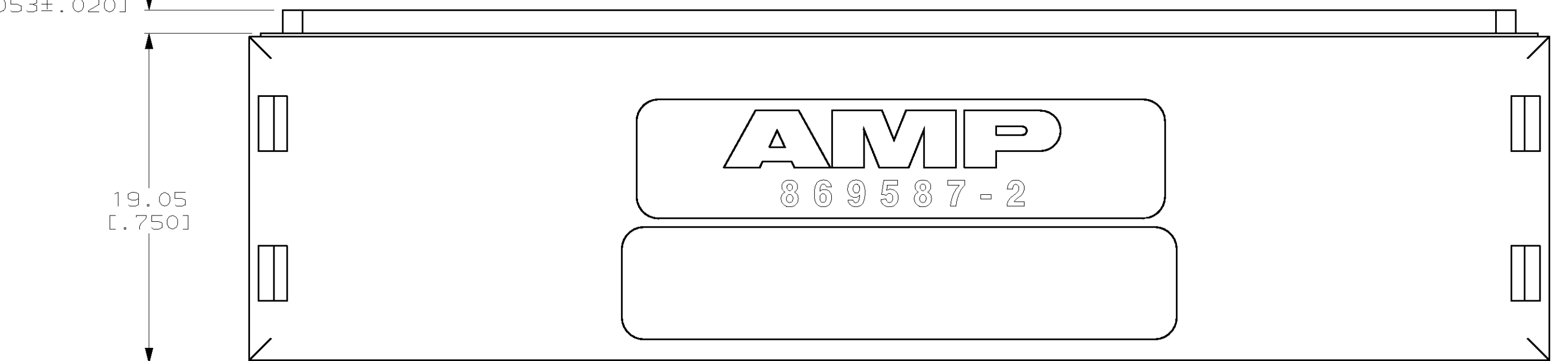
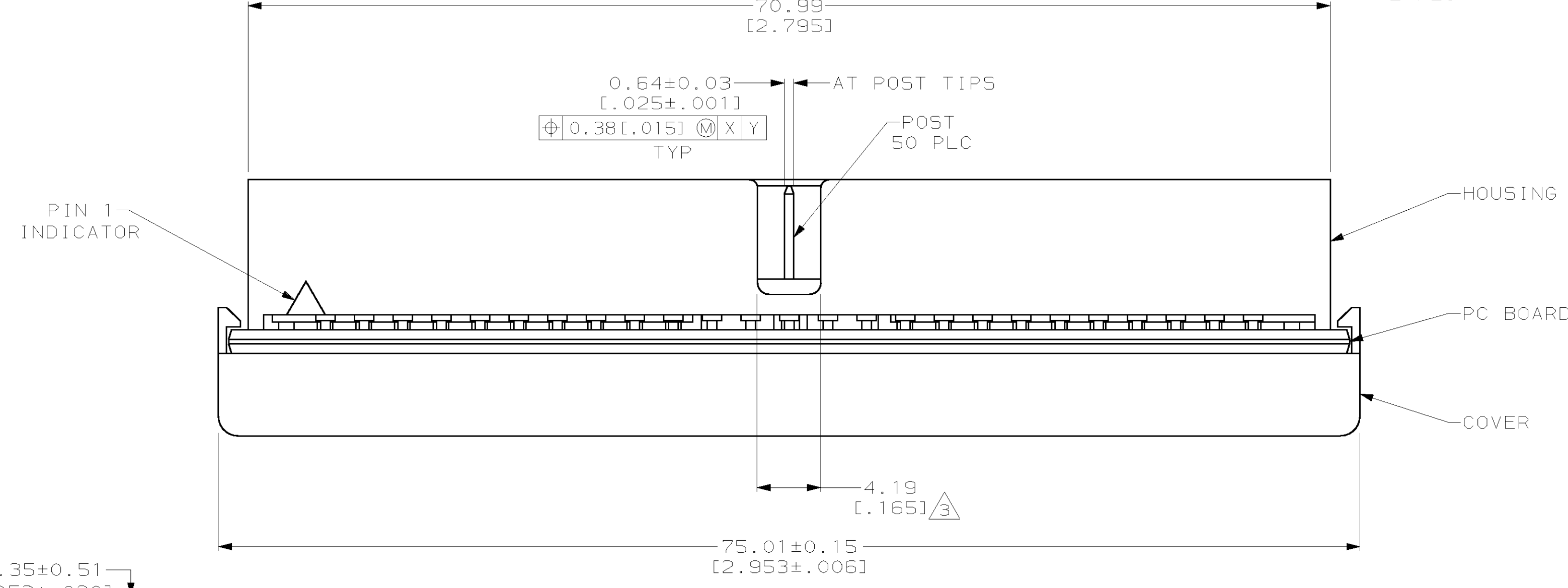
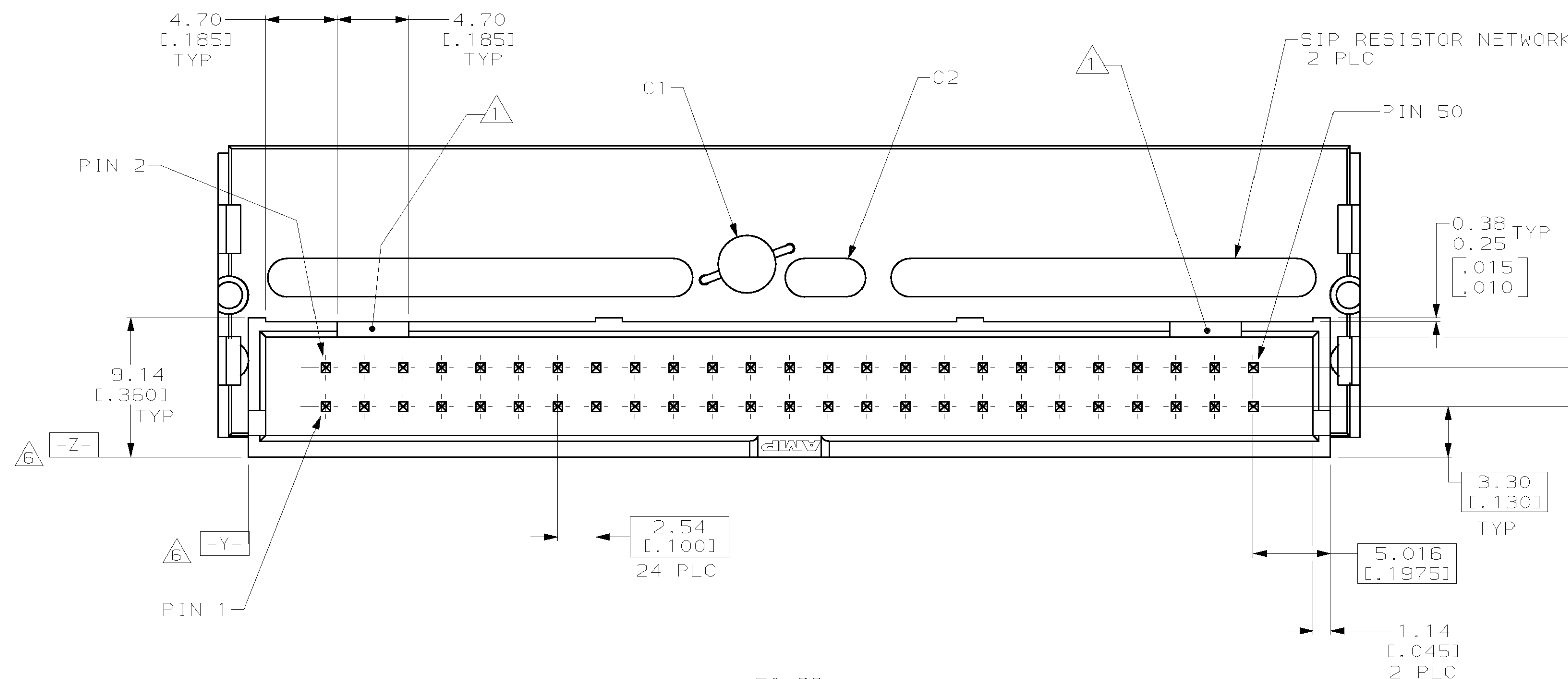
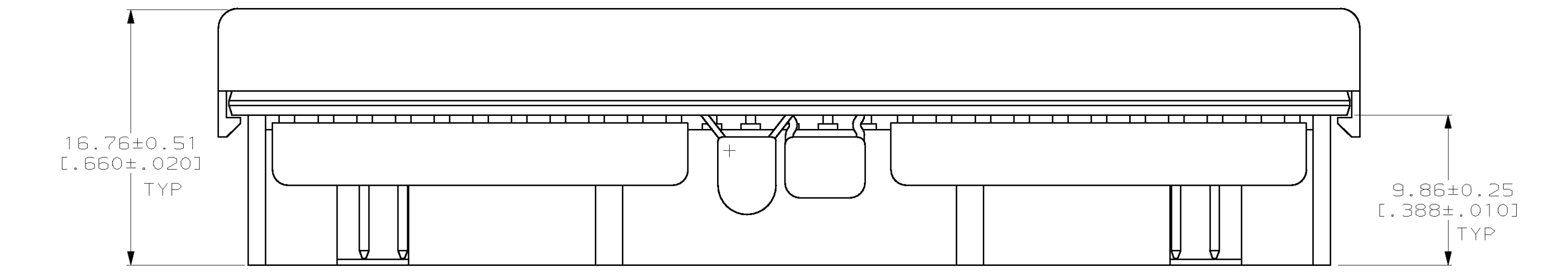


LOC	DIST	REV	DATE	BY	CHKD	APPROV
BD	62	0	10 FEB 97	DB	JV	
		A	04 SEP 97	DH	JV	
		B	16 APR 98	CO	PR	
		C	20 NOV 98	MB	PR	

- 1 DOUBLE BAR POLARIZATION.
- 2 RESISTORS: ±2% EACH, .125 WATTS, CAPACITORS ±10%: C1 = 2.2µF TANTALUM, 15VDC MIN, C2 = 0.01µF CERAMIC, 15VDC MIN.
- 3 CENTER POLARIZATION SLOT.
- 4 HOUSING: NYLON, BLACK; POST, PHOSPHOR BRONZE; COVER, POLYPROPYLENE, BLACK; PC BOARD, PLASTIC (GRADE FR-4) LAMINATED 1 OZ COPPER CLAD.
- 5 POSTS: GOLD FLASH ON LOCALIZED GOLD PLATE AREA, 2.54µm[.000100] MIN TIN-LEAD ON OPPOSITE END, ALL OVER 1.27µm[.000050] MIN NICKEL.
- 6 DATUM Y AND Z APPLY ONLY IN ZONE 1.
- 7 DIMENSION APPLIES AT THE INTERSECTION OF THE POST AND HOUSING.



THIS DRAWING IS A CONTROLLED DOCUMENT FOR AMP INCORPORATED. IT IS SUBJECT TO CHANGE AND THE CONTROLLING ENGINEERING ORGANIZATION SHALL BE CONTACTED FOR THE LATEST REVISION.		DWN: D. BROCKWAY 10 FEB 97 CHK: J. VANDYKE 10 FEB 97 APV: J. VANDYKE 10 FEB 97	AMP Incorporated Harrisburg, PA 17105-3608
DIMENSIONS: mm (INCHES) 0 PLC ± 1 PLC ± 2 PLC ±0.13(.005) 3 PLC ± 4 PLC ± 5 PLCS ±	TOLERANCES UNLESS OTHERWISE SPECIFIED: 0 PLC ± 1 PLC ± 2 PLC ±0.13(.005) 3 PLC ± 4 PLC ± 5 PLCS ±	NAME: HEADER ASSEMBLY, 50 POSITION, SINGLE ENDED, AMP-LATCH™, TERMINATOR APPLICATION SPEC: - WEIGHT: - CUSTOMER DRAWING	869587-2 PROPOSAL NUMBER AMP AMP Incorporated Harrisburg, PA 17105-3608 SIZE: A1 CAGE CODE: 00779 DRAWING NO: C-869587-2 SCALE: 4:1 SHEET: 1 OF 1 REV: C